

# MODEL ANS PAPER

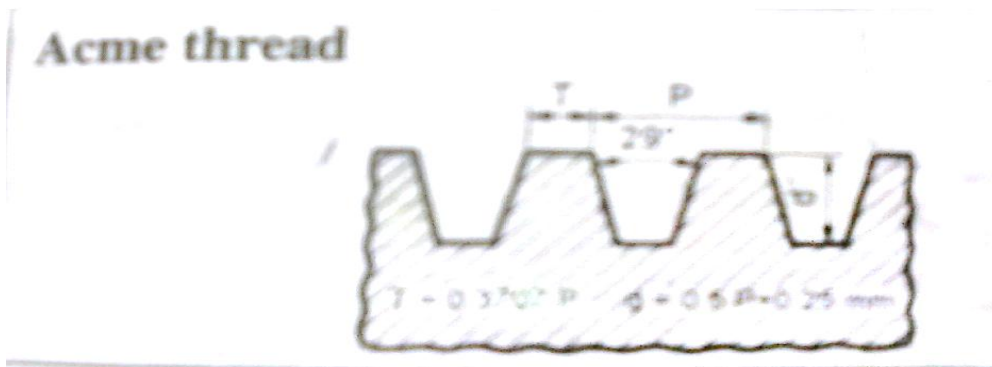
Subject Name : Engineering Drawing (17205)

DIV: ME (B)

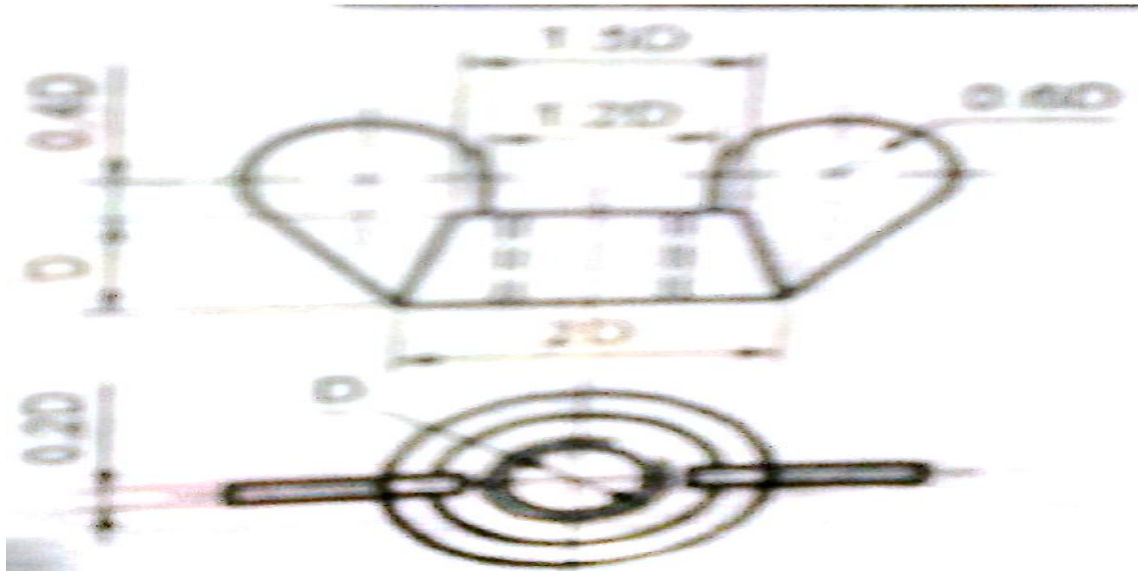
## Question 1

3x3

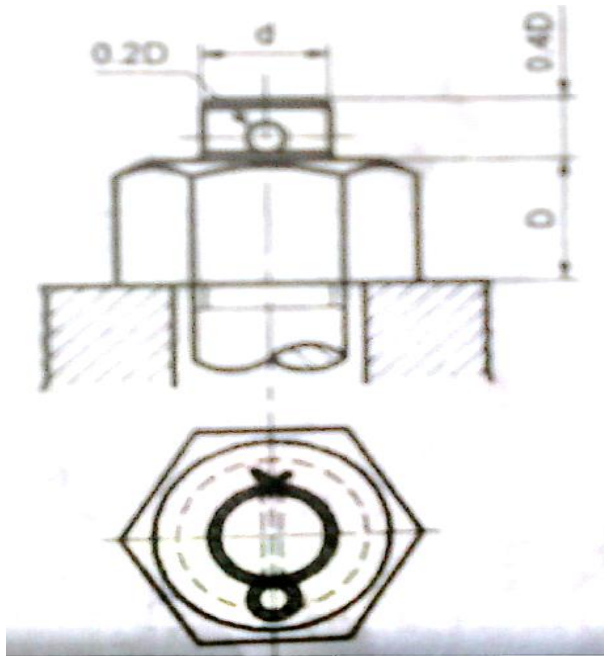
a) Acme thread



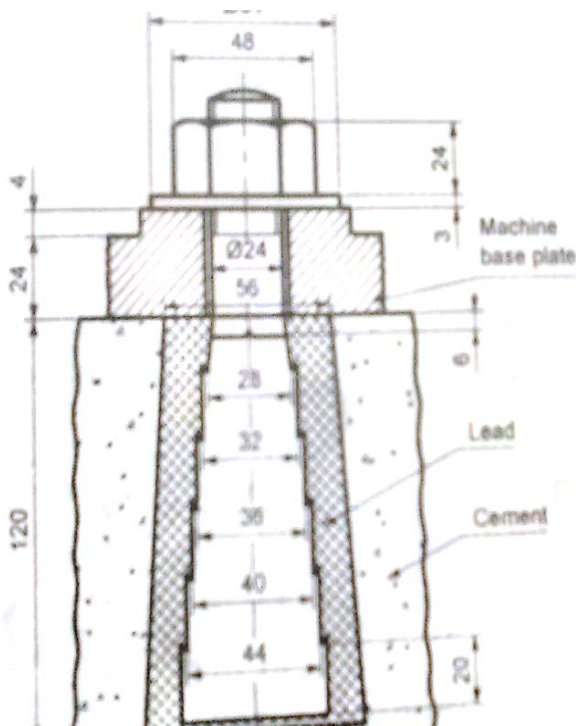
b) Wing nut



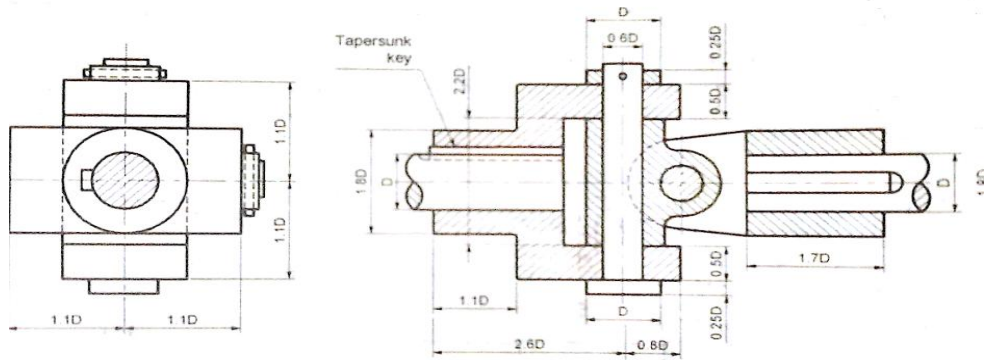
C) Split pin



d) Rag foundation bolt.

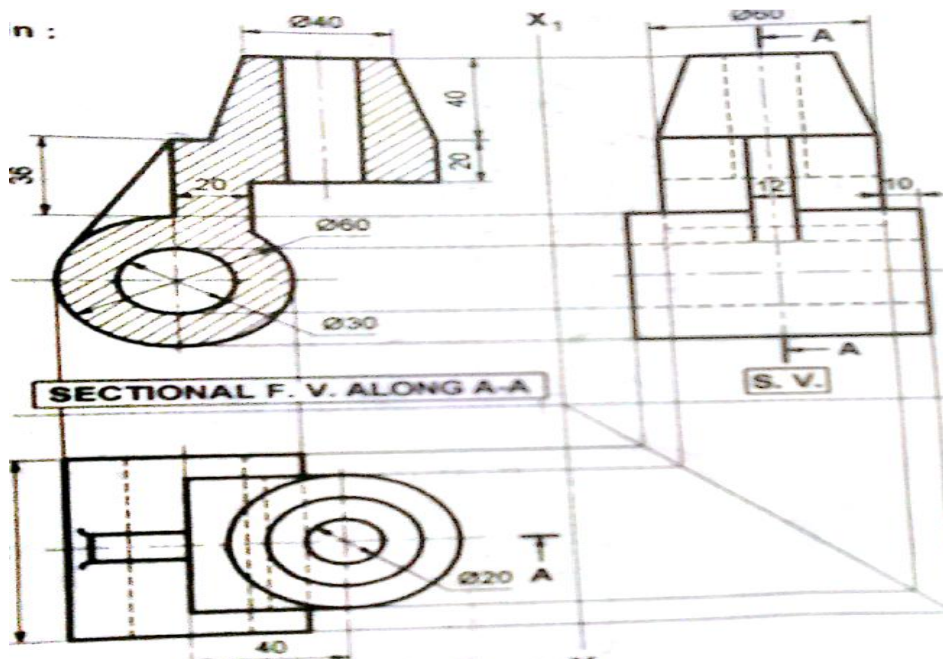


e) Universal Coupling.



Question 2

8x1



Question3

8x1

